

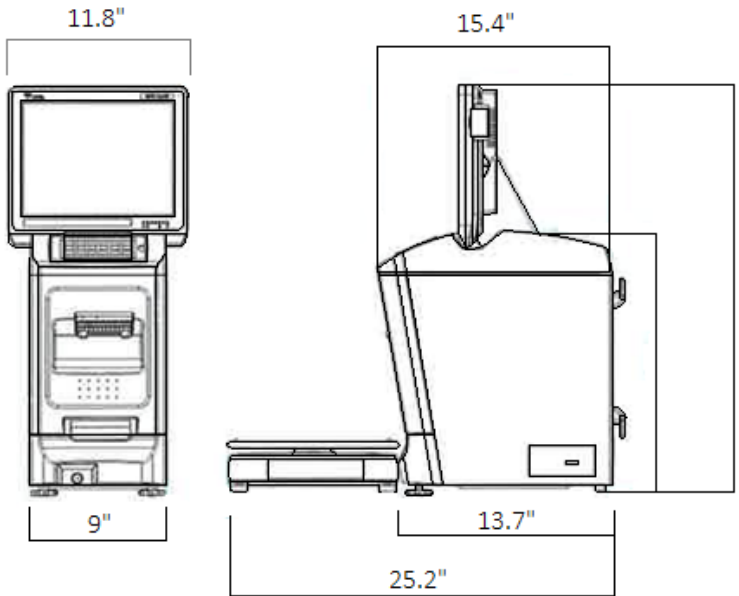
# DPS-5600

High Performance Prepack Scale Printer



*PC Based*

- **Linux operating system**
- **12.1" Full Color Touch Screen**
- **300 DPI Thermal Head**



**Specifications**

**Printer and Labeler**

Type	Thermal Printer
Dot Density	12 dot/mm (300 dpi)
Printing Width	25-80 mm (0.98 –3.1 inches)
Printing Length	20-300 mm (0.79-11.8 inches)
Label Size	Width: 40-80 mm (1.6-3.1 inches) Length: 28-105 mm (1.1-4.1 inches)
Label roll diameter	Max. 210 mm (8.2 inches)
Label roll core diameter	76 mm (3.0 inches)

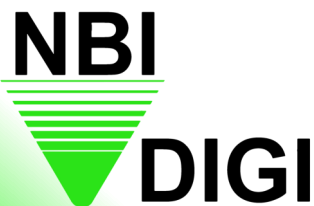
**Operation Console**

Operating System	Linux
Display	TFT LCD Color touch screen (12.1 in.)
Memory	8.8GB

**General**

Power Supply	AC 100-120 or 220-240V, 50/60Hz
Power Consumption	1.2A, 125W
Net Weight	

Main Unit (Standard Configuration)	Single labeler type: 36.4 lb.
Main Unit (Modular Configuration)	Single labeler type: 43.4 lb. Twin labeler type: 56.7 lb.
Scale platform	8.4 lb.



**New Brunswick International, Inc.**

Corporate Headquarters  
 76 Veronica Ave  
 Somerset, NJ 08873  
 TEL: (732) 828-3633  
 FAX: (732) 828-4884

West Coast Office  
 530 West Central Ave. Suite C  
 Brea, CA 92821  
 TEL: (714) 671-7911  
 Fax: (714) 671-0798

